



LEFROY BROOKS

1 8 2 8 T R O U T M A N S T R E E T
R I D G E W O O D N E W Y O R K N Y 1 1 3 8 5 U S A
T : + 1 (7 1 8) 3 0 2 5 2 9 2 F : + 1 (7 1 8) 3 0 2 4 1 7 7

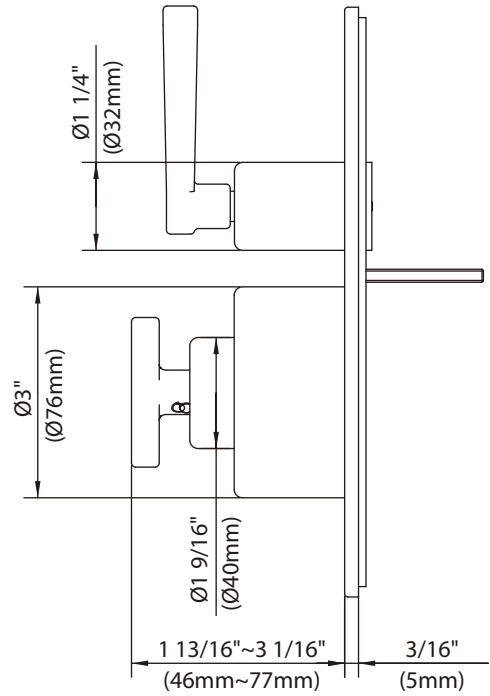
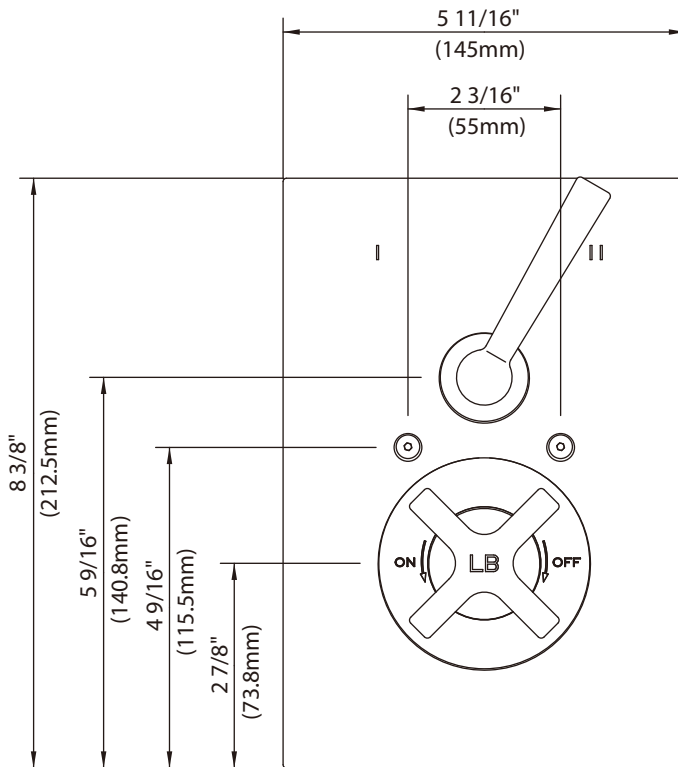
M2-4302

FLEETWOOD CROSS HANDLE PRESSURE BALANCE WITH LEVER
2-WAY DIVERTER TRIM ONLY, TO SUIT M1-4101 ROUGH

DIMENSIONAL DATA SHEET

DATE: 15 September 2014

No: A66F275



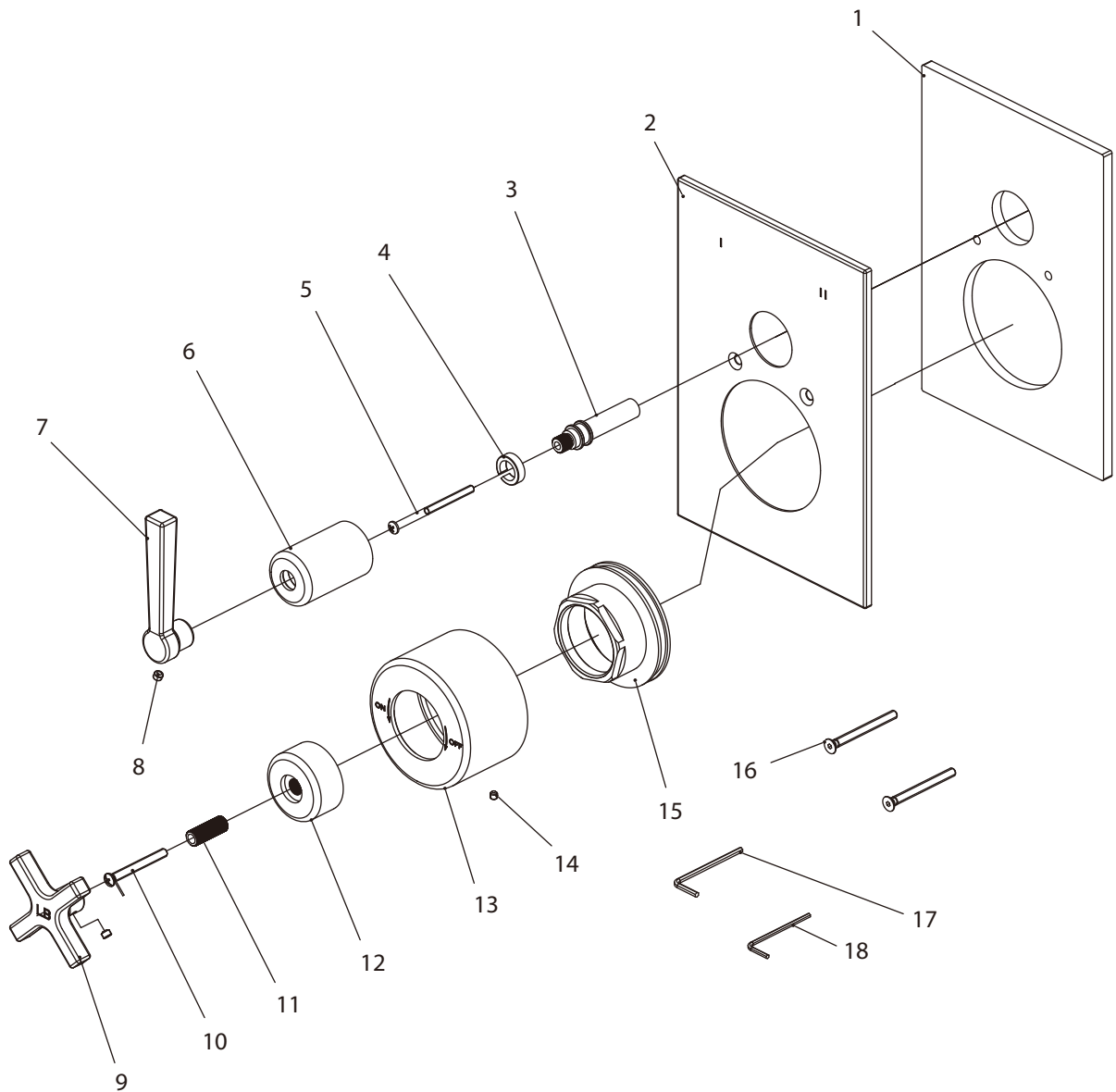
COPYRIGHT © LBIP LTD 2012. ALL RIGHTS RESERVED.

DIMENSIONS IN INCHES & MILLIMETRES

WHILST EVERY EFFORT IS MADE TO ENSURE THE ACCURACY OF THESE DATA SHEETS THEY ARE SUBJECT TO CHANGE WITHOUT NOTICE AS PART OF THE COMPANY'S PRODUCT DEVELOPMENT PROCESS

M2-4302

FLEETWOOD CROSS HANDLE PRESSURE BALANCE WITH LEVER 2-WAY DIVERTER TRIM ONLY, TO SUIT M1-4101 ROUGH



1	Spacer (013118)	7	Handle (029686)	13	Canopy (018959-54)
2	Front plate (006142-50)	8	Set screw (292598)	14	Set screw (065086)
3	Stem extension (110388)	9	Handle (029685-51)	15	Adjusting ring (104292)
4	Clip (012242)	10	Screw (008115)	16	Screw (008186)
5	Screw (008256)	11	Stem extension (110389)	17	Allen key (031000)
6	Canopy (018960)	12	Canopy (018961)	18	Allen key (031003)

Standards

IAPMO/cUPC Listed
Meets A112.18.1

Please note :
Final achievable flow rate is dependent on the outlets fitted, see relevant outlets (spouts, roses, sprays) for fully assembled product flow rate.